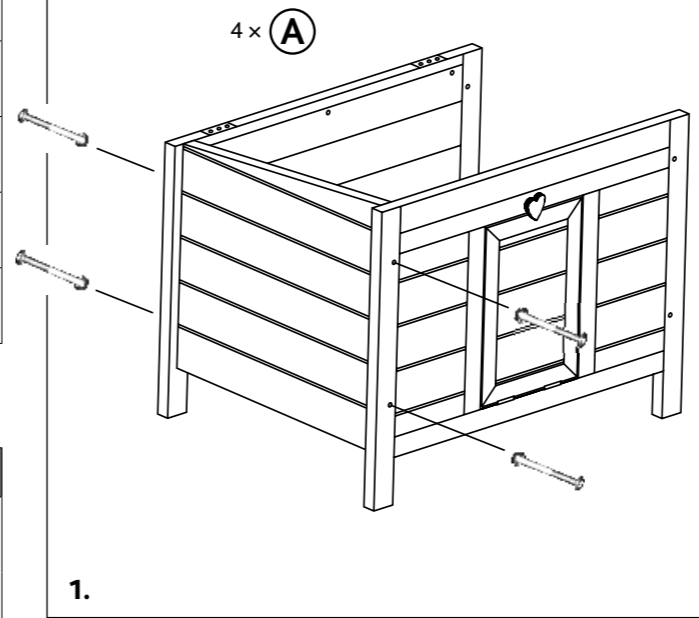


Pos. Nr.	Description	Measurement	Quantity	Item No.
1	Front part	376 × 379 × 20 mm	1	62391-10
2	Back wall	376 × 355 × 20 mm	1	62391-40
3	Side panel, left	428 × 334 × 28 mm	1	62391-20
4	Side panel, right	428 × 334 × 28 mm	1	62391-30
5	Floor part	425 × 353 × 23 mm	1	62391-50
6	Roof	510 × 420 × 30 mm	1	62391-60

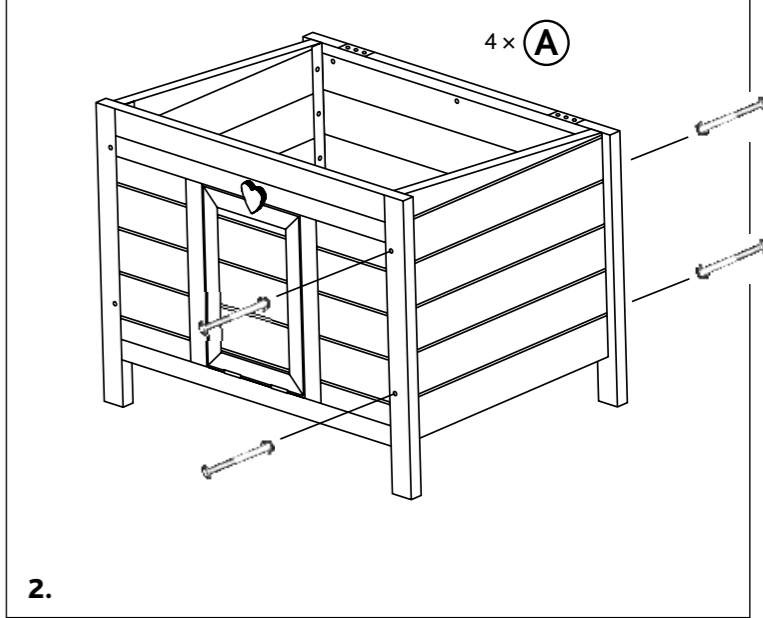
Pos. Nr.	Description	Size	Quantity	Item No.
A	Thread screw with nut	M6 × 50 mm	8+1	62391
B	Countersunk screw	∅ 3 × 16 mm	6+1	

(EN) Please find instructions in French and Italian under the corresponding item number at www.trixie.de.
 (FR) Vous trouverez les informations détaillées en français et en italien à chaque référence d'article, sur notre site www.trixie.fr.
 (IT) Le istruzioni in italiano e francese sono disponibili selezionando il codice dell'articolo sul nostro sito www.trixie.it.

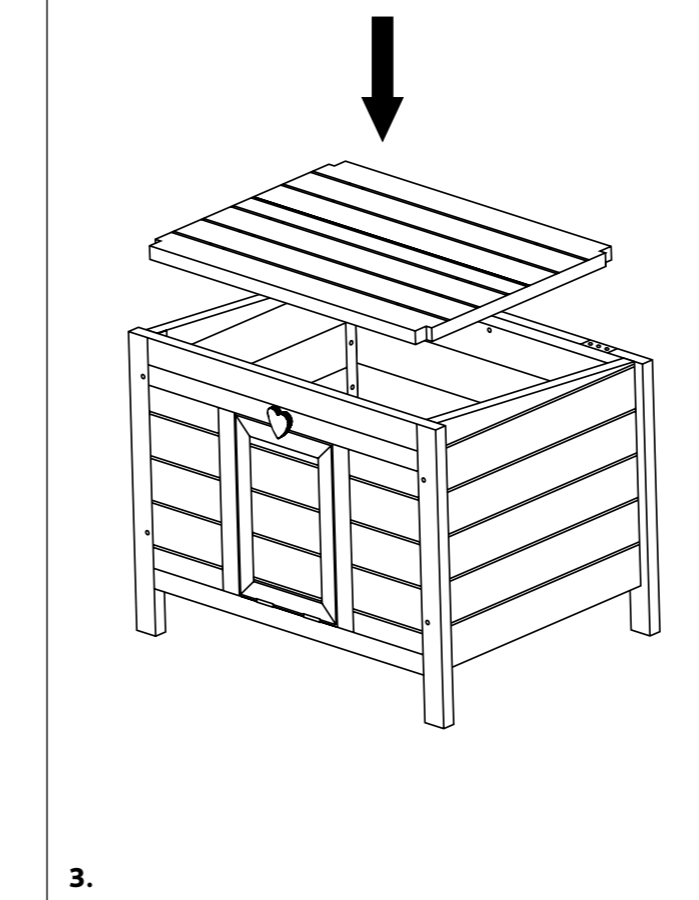
Fix the front part (1) and the back wall (2) to the left side panel (3).



Next, fix the right side panel (4).



Insert the floor part (4).



Finally, screw the angles of the roof (6) on the back wall.

